

湖州电动滚筒有限公司



湖州电动滚筒有限公司  
HUZHOU MOTORIZED DRUM CO., LTD.

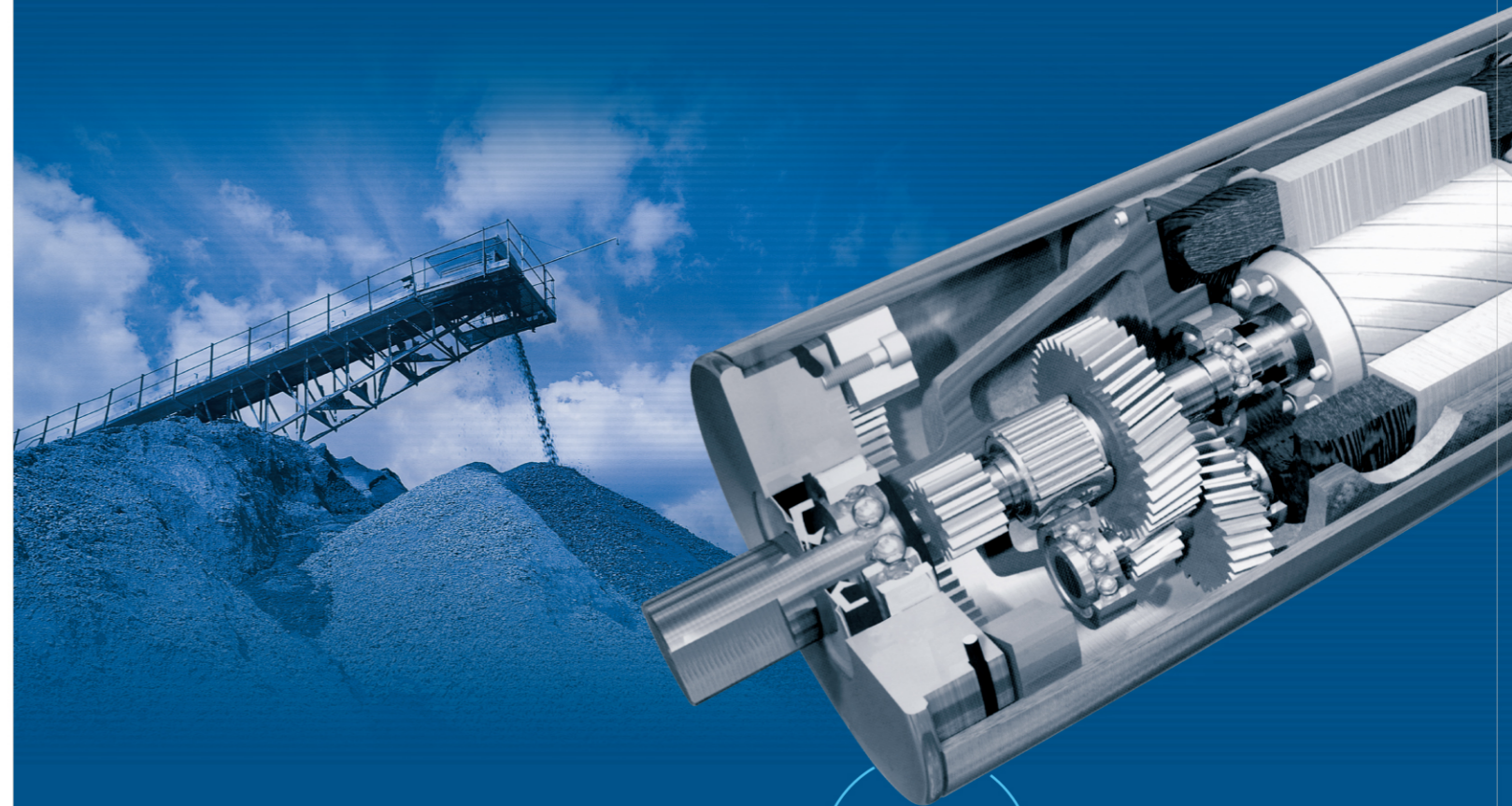
地址：浙江省湖州市经济开发区西凤路888号  
电话：0572-2022227 2022209  
传真：0572-2059480  
邮编：313000  
E-mail: hzdt888@126.com

[www.hzdt.com.cn](http://www.hzdt.com.cn)

Huzhou Datang Corporation Image Design Co., Ltd.

# XINGLI

## MOTORIZED DRUM



以科技引领未来

TO GUIDE  
FUTURE  
TECHNOLOGY

2013年



HUZHOU MOTORIZED DRUM CO., LTD.





www.hzdt.com.cn

# 企业简介 Introduction

www.hzdt.com.cn

## 我们的使命 制造中国最优质的电动滚筒

## 我们的价值 让“输送”简便·高效·节能·可靠·安全·环保

湖州电动滚筒有限公司系中国重型机械工业协会带式输送机分会成员单位。国家重点支持高新企业。公司集科、工、贸为一体，拥有资产6000余万元，工厂占地面积2.7万平方米，员工300余人，其中工程技术人员占15%以上。公司制度健全，管理严格，1999年2月通过ISO9002质量体系认证，并在2002年2月通过ISO9001质量管理体系认证。

公司主导产品为星力牌电动滚筒。电动滚筒技术系从德国引进，设计起点高，产品性能优越。公司现拥有年产10000台以上电动滚筒生产能力以及设计生产变形产品、延伸产品和其它产品的应变能力，成为江南地区目前最大的电动滚筒专业生产厂家，全国电动滚筒的制造业的骨干企业。产品拓展到一千多种规格，被矿山、码头、热电厂、轧钢厂及建材、橡胶、化工、食品、邮政、家电等行业厂家的生产流水线、输送线上广泛使用。其中YTH型外装式减速滚筒为国家级新产品。YT、YD型油浸式电动滚筒分别被评为科技进步二等奖。

公司于2000年被中国重型机械工业协会授予“全国起重运输机械行业信得过产品和企业”证书。湖州电动滚筒有限公司以“追求一流品质，维护顾客利益”为宗旨，竭诚为广大用户提供优良的产品和满意的服务。

Huzhou Motorized Drum Co., Ltd is a member of Belt Conveyer Branch of Chinese Heavy-duty Machine Industry Association. It is key support High-tech Enterprises in China. with the capacity of scientific research, production and trade but mainly for manufacture of motorized drums. It has strong foundation with more than 60,000,000 Yuan (RenMinBi) fixed asset, above 300 employees, among them fifteen percent are engineer and technicians and covers area of 27,000 square meters. The company has been carrying out a complete of management rules and quality control and has passed Quality System Confirmation of ISO9002 in Feb. 1999. and has passed Quality Management System confirmation of ISO9001 in Feb. 2002.

The company mainly produces varieties of motorized drums marked XINLI brand, its know-how technology introduced from Germany, so the product has high design level and excellent performance. At present, the company has the capacity of designing and manufacturing varieties and various of motorized drums and year yield of above 10,000 sets, It is the biggest manufacturer in Jiangnan district and a key enterprise in all of the country specialized in motorized drums. Company's products has branched out more than 1,000 specifications and widely used in product line and belt conveyer of mine, port, power plant, rolling mill, architecture, rubber, chemistry, food, post and electrical apparatus lines etc., among them YTH model built-out gear-reducing motorized drum was awarded a title of "National Newly-type Product" and YT & YD oil-immersed motorized drums won two-grade of "Scientific & Technology Progress".

The company was titled as "Trust Product & Enterprise of National Hoisting Machinery by Chinese Heavy-duty Machine Industry Association in the year of 2000. The aim of the company has been to seek for the optimum product quality and guarantee customers' interest. The company keeps him to provide excellent products and satisfactory service to our customers.





# 目录 Contents

YTH型外装式减速滚筒 YTH Type Built-out Gear-reducing Motorized Drum	04
YT(YII)型油浸式电动滚筒 YT(YII) Type Oil-steeped Motorized Drum	08
TDY型油冷式电动滚筒 TDY Type Oil-cooled Motorized Drum	10
YD型油浸式电动滚筒 YD Type Oil-steeped Motorized Drum	13
DY-1型油浸式电动滚筒 DY-1 Type Oil-steeped Motorized Drum	15
YDB隔爆型油冷式电动滚筒 YDB Explosion-isolating Type Oil-cooled Motorized Drum	17

安全 科技 人性



## 品质保证





# YTH Model Built-out Gear-reducing Motorized Drum

## YTH 型外装式减速滚筒



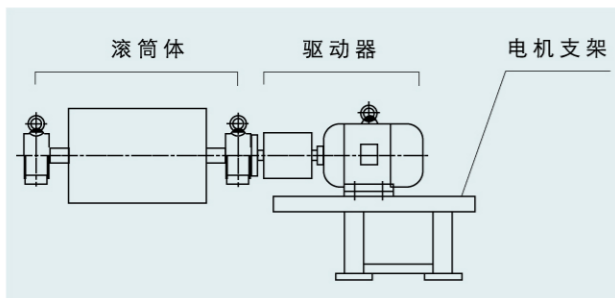
外装式减速滚筒、电动滚筒工作的环境温度为-20℃ ~ +40℃，输送物料的温度不超过60℃，使用地点的海拔高度一般不超过1000米，如果工作环境与上述条件不符，请与本公司联系。

### YTH型外装式减速滚筒性能及用途

YTH型外装式减速滚筒采用引进德国先进的电动滚筒生产技术，硬齿面行星齿轮传动，运行平稳，噪声低，过载能力强，功率范围大。可配置液力偶合器、逆止器、制动器，也可配防爆电机，适用作各种恶劣环境下及有防爆要求的大中型带式输送机的驱动装置。

### YTH型外装式减速滚筒的组成

YTH型外装式减速滚筒由滚筒体、驱动器及电机支架三部分（II型无电机支架）。滚筒体主要包括滚筒壳体、支座及装在滚筒内的减速器组成。驱动器主要包括电动机、联轴器、液力偶合器、逆止器、制动器等部件。电机支架是用型钢焊接而成，用于安装电动机和护罩，用户按需要自行设计制造。



The motorized drum that work environment the temperature is -20℃ ~ +40℃. The temperature that transport the material exceed 60℃. The elevation high of work location not exceed 1000 meters. If the work environment is out of accordance with above term, please contact with our company.

### Features & Applications

YTH model built-out gear-reducing motorized drum is produced according to technology imported from Germany. With advantages of hardened gear surface, planetary gear drive, steady rotation, low noise, big capacity with over-load and large power range, it can equip with hydraulic coupling, stop-reverse unit, brake and explosion-proof electric motor and suitable to large and middle scale belt conveyer with awful environment and explosion-proof requirement.

### Structure Descriptions

YTH model built-out gear-reducing drum consists of three parts of drum body, drive and electric motor (II model without motor bracket). The drum body includes drum shell, bracket and gear reducer. The driver includes electric motor, coupler, hydraulic coupler, stop-reverse unit and brakes etc. The bracket is welded by steel sheet and used for erecting electric motor and its cover, and also designed and made by customer.

YTH型外装式减速滚筒参数表  
Parameter List

滚筒直径 D Drum Dia. D mm	带宽 B Belt Width B mm	功率 P Power P kW	滚筒表面线速度V m/s Velocity of drum surface												
			0.32	0.4	0.5	0.63	0.8	1.0	1.25	1.6	2.0	2.5	3.15	4.0	
∅ 320	400 500 650 800	2.2 3.0 4.0			✓	✓	✓	✓	✓	✓	✓				
		5.5 7.5						✓	✓	✓	✓	✓			
∅ 400	400 500 650 800	2.2 3.0 4.0	✓	✓	✓	✓	✓	✓	✓	✓	✓				
		5.5 7.5					✓	✓	✓	✓	✓	✓			
∅ 500	500 650 800 1000	2.2 3.0 4.0	✓	✓	✓	✓	✓	✓	✓	✓	✓				
		5.5 7.5	✓	✓	✓	✓	✓	✓	✓	✓	✓	✓	✓		
		11 15				✓	✓	✓	✓	✓	✓	✓	✓	✓	
		18.5 22 30 37					✓	✓	✓	✓	✓	✓	✓	✓	
∅ 630	650 800 1000 1200 1400 1600 1800 2000	5.5 7.5	✓	✓	✓	✓	✓	✓	✓	✓	✓	✓	✓		
		11 15				✓	✓	✓	✓	✓	✓	✓	✓	✓	
	650 800 1000 1200 1400 1600 1800 2000	18.5 22 30 37							✓	✓	✓	✓	✓	✓	
		45 55							✓	✓	✓	✓	✓	✓	
∅ 800	800 1000 1200 1400 1600	5.5 7.5				✓	✓	✓	✓	✓	✓	✓			
		11 15					✓	✓	✓	✓	✓	✓	✓	✓	
	800 1000 1200 1400 1600 1800 2000	18.5 22 30 37							✓	✓	✓	✓	✓	✓	
		45 55							✓	✓	✓	✓	✓	✓	
		75 90 110 132							✓	✓	✓	✓	✓	✓	
160 200										✓	✓	✓	✓		
∅ 1000	1000 1200 1400 1600 1800 2000	30 37									✓	✓	✓	✓	
		45 55									✓	✓	✓	✓	
		75 90 110 132										✓	✓	✓	✓
		160 200											✓	✓	✓



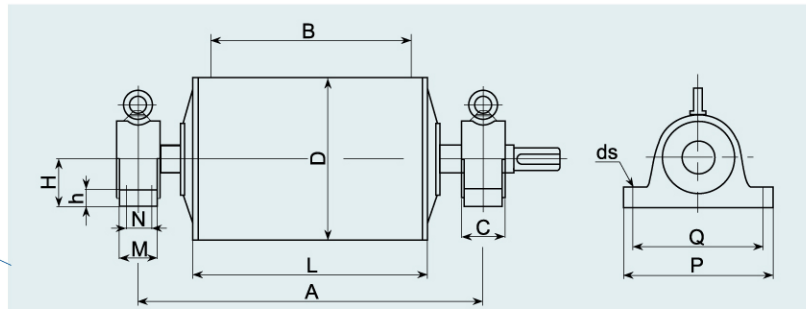
YTH型外装式减速滚筒分类表

Classifying List

YTH★-◆-I● 卧式电机型 Horizontal & in-line type	型号 Model	名称 Name	
	YTH-IG	卧式直列联轴器型 Horizontal & alignment coupling	
	YTH-IY	卧式直列液力耦合器型 Horizontal & alignment hydraulic coupling	
	YTHN-IG	卧式直列逆止联轴器型 Horizontal & alignment stop-reserve coupling	
	YTHN-IY	卧式直列逆止液力耦合器型 Horizontal & alignment stop-reserve hydraulic coupling	
	YTHZ-IG	卧式直列制动联轴器型 Horizontal & alignment brake coupling	
	YTHZ-IY	卧式直列制动液力耦合器型 Horizontal & alignment brake hydraulic coupling	
	YTHNd-IG	卧式直列低速逆止联轴器型 Horizontal & alignment low-speed stop-reverse coupling	
	YTHNd-IY	卧式直列低速逆止液力耦合器型 Horizontal & alignment low-speed stop-reverse hydraulic coupling	
YTH★-◆-II● 立式电机型 YTH-II verticid motor type	型号 Model	名称 Name	备注 Remarks
	YTH-II	立式电机型 Vertical motor	功率限于55KW以下 Limited to below 55kw power
	YTHN-II		
	YTHZ-II		
	YTHNd-II		
YTH★-◆-III● 卧式垂直型 Horizontal & vertical type	型号 Model	名称 Name	
	YTH-IIIIG	卧式垂直联轴器型 Horizontal & vertical coupling	
	YTH-IIIY	卧式垂直液力耦合器型 Horizontal & vertical hydraulic coupling	
	YTHN-IIIY	卧式垂直逆止液力耦合器型 Horizontal & vertical stop-reserve hydraulic coupling	
	YTHZ-IIIY	卧式垂直制动液力耦合器型 Horizontal & vertical brake hydraulic coupling	
	YTHNd-IIIY	卧式垂直低速逆止液力耦合器型 (低速逆止处图形参见YTHNd-IY) Horizontal & vertical low-speed stop-reverse hydraulic coupling (Its drawing references to YTHNd-IY)	
隔爆型 Explosion-isolating type	型号 Model	备注 Remarks	
用隔爆式电动机取代普通电动机而成隔爆型 Use explosion-isolating electric motor instead of general electric motor	YTH-B-I	各种型号均可派生成隔爆型	
	YTH-B-II	All models can be derived into explosion-isolating type	
	YTH-B-III		
★附加功能 Additional features	◆电机功能 Motor function	●电机连接方式 Connction mode of motor	
N-高速逆止器 High-speed backstop Nd-低速逆止器 Low-speed backstop Z-制动器 Brake	B-防爆电机 Explosion-proof motor V-变频电机 Frequency variable motor	G-联轴器 Coupling Y-液力耦合器 Hydraulic coupling L-离合器 Clutch	



YTH型外装式减速滚筒安装外形尺寸  
Mounting External Size



D	B	A	L	H	C	M	N	P	Q	h	ds
∅ 320 ∅ 400	400	750	500	120	110	90	-	340	280	35	∅27
	500	850	600								
	650	1000	750								
∅ 500	800	1300	950	120	120	90	-	340	280	35	∅27
	500	850	620								
	650	1000	750								
∅ 630 ∅ 800 ∅ 1000	1000	1500	1150	160	160	150	90	440	360	50	∅34
	650	1000	750								
	800	1300	950								
	1000	1500	1150								
	1200	1750	1400								
	1400	2000	1600								
1600	2200	1800									
1800	2400	2000									
2000	2600	2200									

YTH型外装式减速滚筒订货代号  
Order Symbol

**YTHNd - B - IY - 45 - 2.5 - 1000 - 800**

- 滚筒直径D(mm)  
Drum dia.D(mm)
- 带宽B(mm)  
Belt width B(mm)
- 滚筒表面线速度V(m/s)  
Velocity of drum surface(m/s)
- 电动机功率P(KW)  
Motor power(KW)

型号: 卧式直列低速逆止隔爆耦合器型  
Model: horizontal & alignment low-speed stop-reverse explosion-isolating coupling

注:

- 逆止型的滚筒旋转与本厂标准不同时, 需在订货时注明。
- YTH-III型滚筒中, 按电机安装形式不同分四种形式, 需在订货时注明。
- 滚筒表面如需包胶或有其它要求的在合同中注明。

Notes:

- If you need the stop-reverse motorized drum with rotating direction different from the above, this must be given at order.
- You should note the type of YTH-III at order because it is divided into four type.
- If the drum surface need to be covered with rubber or other requirements, they must be specified in the contract.



# YT(YII) Type Oil-Steeped Motorized Drum

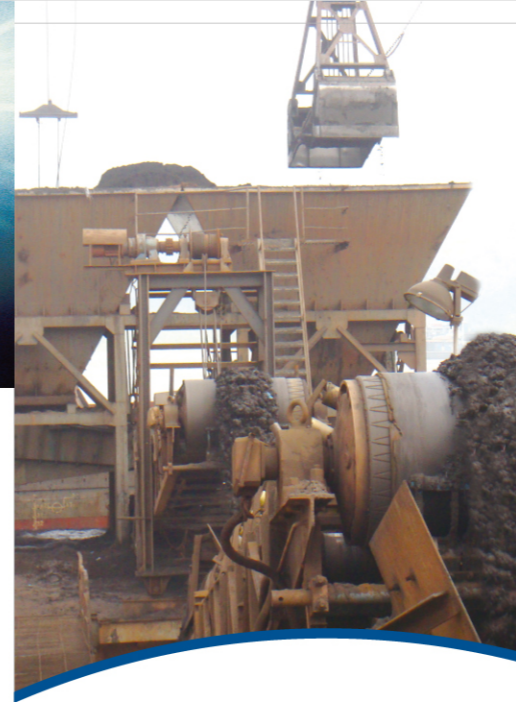
## YT(YII) 型油浸式电动滚筒

YT(YII)型油浸式电动滚筒是本公司为大中型皮带机配套的产品，采用德国先进技术，电机采用油浸直接冷却，配用行星齿轮减速器，扭矩大、精度高、噪声低、滚筒全密封、无渗漏，可用于粉尘大、潮湿等环境恶劣的场合，是皮带输送机、斗轮堆取料机、装卸船机理想的驱动装置。

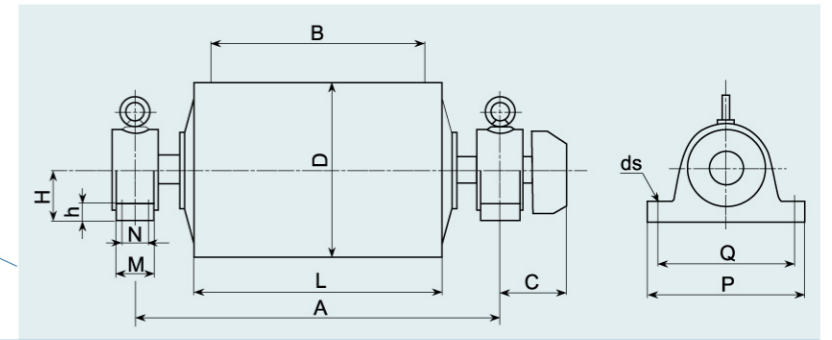
### YT(YII)型油浸式电动滚筒参数表 YT(YII) Type Parameter List

滚筒直径D Drum dia. D mm	功率P Power P KW	带宽B Belt Width B mm	滚筒表面线速度V(m/s) Velocity of drum surface V(m/s)							质量M Mass M kg
			1.0	1.25	1.6	2.0	2.5	3.15	4.0	
∅ 630	18.5	800	○	○	○	○	○	○	○	1200/1250/1350/1450
	22	1000	○	○	○	○	○	○	○	1250/1300/1400/1500
	30	1200	○	○	○	○	○	○	○	1300/1350/1450/1550
	37	1400	○	○	○	○	○	○	○	1350/1400/1500/1600
		1600	○	○	○	○	○	○	○	1400/1450/1550/1650
∅ 800	18.5	800	○	○	○	○	○	○	○	1270/1320/1420/1520
	22	1000	○	○	○	○	○	○	○	1320/1370/1470/1570
	30	1200	○	○	○	○	○	○	○	1370/1420/1520/1620
	37	1400	○	○	○	○	○	○	○	1420/1470/1570/1670
		1600	○	○	○	○	○	○	○	1470/1520/1620/1720
	45	1000	○	○	○	○	○	○	○	2080/2130
		1200	○	○	○	○	○	○	○	2200/2250
		1400	○	○	○	○	○	○	○	2320/2370
		1600	○	○	○	○	○	○	○	2440/2490
		1800	○	○	○	○	○	○	○	2560/2610
55	2000	○	○	○	○	○	○	○	2680/2730	
	1200				○	○	○	○	2250	
	1400				○	○	○	○	2370	
	1600				○	○	○	○	2490	
	1800				○	○	○	○	2610	
75	2000				○	○	○	○	2730	
	1000			○	○	○	○	○	2150/2200	
	1200			○	○	○	○	○	2300/2350	
	1400			○	○	○	○	○	2500/2550	
	1000					○	○	○	2200	
∅1000	1200					○	○	○	2350	
	1400					○	○	○	2550	
	1600					○	○	○	2750	
	1800					○	○	○	2950	
	2000					○	○	○	3150	

YT(YII) type oil-steeped motorized drum, produced as the latest technology imported from Germany, is a product for large and medium type belt conveyors, in which oil-steeped motor drives the advanced planetary gear reducers, high precision and low noise are its advantages. Motorized drum is totally enclosed and guarantee against the seepage of oil, therefore able to operate in humid and dust conditions, for extremely rough conditions a special seal is available. As a ideal driving device for the Bucket Wheel Stacker and Reclaimer, load and unload machines, this type motorized drum are widely used in mines, factories, harbours, etc.



YT(YII)型油浸式电动滚筒安装外形尺寸  
Mounting External Size



D	B	A	L	H	M	N	P	Q	h	ds	E	
∅ 630	800	1300	950	140	130	80	400	330	50	∅ 27	260 (≤37kW)	
	1000	1500	1150									
	1200	1750	1400	160	150	90	440	360	50	∅ 34		280 (≥45kW)
	1400	2000	1600									
	1600	2200	1800									
	1800	2400	2000									
2000	2600	2200										

### YT(YII)型油浸式电动滚筒订货代号 Order Symbol

**YT(YII) - 22 - 2.5 - 1000 - 800**

- 滚筒直径D(mm)  
Drum Dia.D(mm)
- 带宽B(mm)  
Belt width B(mm)
- 滚筒表面线速度V(m/s)  
Velocity of drum surface(m/s)
- 滚筒功率P(KW)  
Drum power P(KW)
- YT(YII)型油浸式电动滚筒代号  
YT(YII) Type oil-steeped motorized drum

**注:**

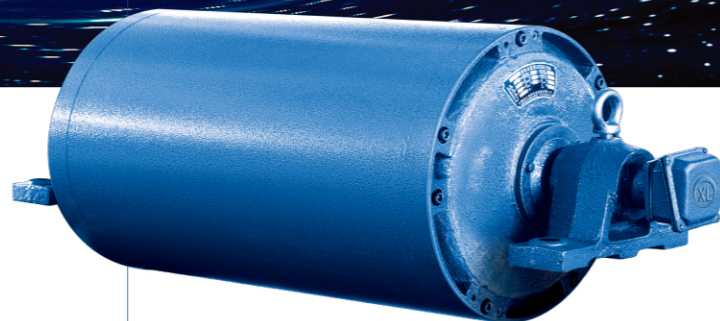
1. YT(YII)型油浸式电动滚筒可制成单向逆止型滚筒。
2. YT(YII)型油浸式电动滚筒可根据用户要求制成非标准型式。

**Notes:**

1. YT(YII) type oil-steeped motorized drum on occasion like operating in only direction can be made.
2. YT(YII) type oil-steeped motorized drum can be made to meet special requirements of our customers.



# TDY Type Oil-Cooled Motorized Drum



## TDY 型油冷式电动滚筒



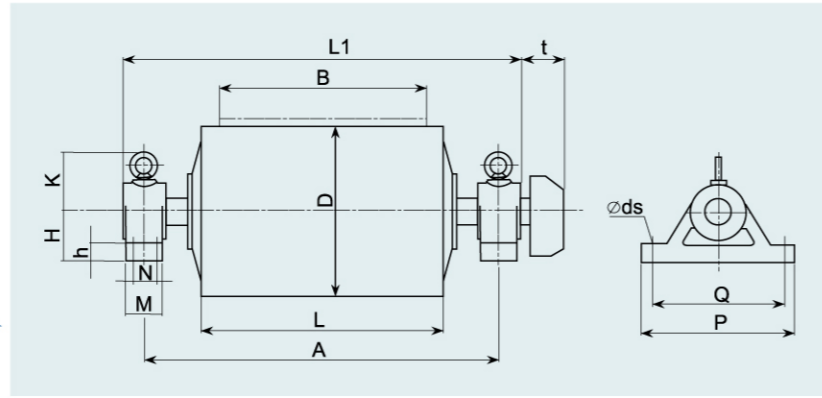
TDY型油冷式电动滚筒是我国目前广泛采用的普通型电动滚筒。滚筒电机由专业的电动滚筒电机厂配套，性能指标不低于同功率的我国Y系列电机的指标。为满足用户需求，本公司将继续生产TDY型油冷滚筒。

TDY type oil-cooled motorized drum is widely used for general purpose in China. Its motor is made by the special motor producers, is not below national Y series standard at the same power level. For meeting the requirements of our customers, TDY type oil-cooled motorized drum will continue to be produced.

### TDY 系列参数选用表 TDY Type Parameter List

滚筒直径D Drum dia. D	功率P Power P	带宽B Belt Width B	滚筒表面线速度V(m/s) Velocity of drum surface V(m/s)													质量M Mass M
			0.25	0.32	0.4	0.5	0.63	0.8	1.0	1.25	1.6	2.0	2.5	3.15	kg	
Ø 320	1.5/2.2	500				○	○	○	○	○	○	○				1250
		650				○	○	○	○	○	○	○				140
		800				○	○	○	○	○	○	○				150
	3/4	500				○	○	○	○	○	○	○				140/150
		650				○	○	○	○	○	○	○				150/160
		800				○	○	○	○	○	○	○				160/170
Ø 400	2.2/3	500	○	○	○	○	○	○	○	○	○	○				216/248
		650	○	○	○	○	○	○	○	○	○	○				227/262
		800	○	○	○	○	○	○	○	○	○	○				248/267
	4	500	○	○	○	○	○	○	○	○	○	○				253
		650	○	○	○	○	○	○	○	○	○	○				267
		800	○	○	○	○	○	○	○	○	○	○				271
Ø 500	2.2/3	500	○	○	○	○	○	○	○	○	○	○				271/298
		650	○	○	○	○	○	○	○	○	○	○				282/313
		800	○	○	○	○	○	○	○	○	○	○				312/343
		1000	○	○	○	○	○	○	○	○	○	○				350/365
	4/5.5	500				○	○	○	○	○	○	○				305/365
		650				○	○	○	○	○	○	○			○	319/401
		800				○	○	○	○	○	○	○			○	349/430
	7.5/11	1000			○	○	○	○	○	○	○	○			○	365/442
		650				○	○	○	○	○	○	○			○	415/475
		800				○	○	○	○	○	○	○			○	442/512
		1000				○	○	○	○	○	○	○			○	470/550
		800							○	○	○	○			○	536
1000								○	○	○	○			○	575	
18.5	800							○	○	○	○			○	575	
	1000								○	○	○			○	615	
	800									○	○			○	585	
Ø 630	3/4	1000				○	○	○	○	○	○					495/502
		1200				○	○	○	○	○	○					526/533
		800				△	△	△	○	○	○	○				580/587
	5.5	1000				△	△	△	○	○	○	○			○	572
		1200				△	△	△	○	○	○	○			○	603
		650				△	△	△	○	○	○	○			○	673
	7.5/11	800				△	△	△	○	○	○	○			○	520/608
		1000				△	△	△	○	○	○	○			○	587/674
		1200				△	△	△	○	○	○	○			○	618/706
		1400				△	△	△	○	○	○	○			○	687/776
	15	800							○	○	○	○			○	765/854
		1000							○	○	○	○			○	692
		1200							○	○	○	○			○	724
		1400							○	○	○	○			○	794
		800								○	○	○			○	870
		1000								○	○	○			○	730
	18.5	1000								○	○	○			○	762
		1200									○	○			○	832
1400											○	○		○	910	
22	800													○	740	
	1000													○	772	
	1200													○	842	
	1400													○	920	
30/37	1000											○		○	950/980	
	1200											○		○	1020/1050	
	1400												○	○	1100/1130	
45	1000													○	1010	
	1200													○	1090	
	1400													○	1150	
Ø 800	7.5/11	1400						○	○	○	○			○	886/957	
		15							○	○	○	○			○	975
	18.5/22	1400							○	○	○	○			○	1015/1025
		1000									○	○			○	1020/1050
	30/37	1200													○	1090/1120
		1400													○	1170/1200
		1000													○	1080
		1200													○	1160
45	1400													○	1230	





安装外形尺寸

Mounting External Size

D	B	A	L	L1	t	H	K	M	N	P	Q	h	ds
∅ 320	500	850	600	920	95	120	125	70	-	340	280	35	∅27
	650	1000	750	1070									
	800	1300	950	1220									
∅ 400	500	850	600	940	95	120	125	90	-	340	280	35	∅27
	650	1000	750	1090									
	800	1300	950	1240									
∅ 500	500	850	600	960	115	100	145	70	-	340	280	35	∅27
			620										
	650	1000	750	1120				120					
	800	1300	950	1420									
1000	1500	1150	1620	140	175	130	80	400	330	35	∅27		
650	1000	750	1120										
∅ 630	800	1300	950	1430	115	120	175	130	80	400	330	35	∅27
	1000	1500	1150	1630									
	1200	1750	1400	1900									
∅ 800	1400	2000	1600	2150	115	160	180	150	90	440	360	50	∅34
	1400	2000	1600	2150									

TDY 型油冷式电动滚筒 TDY-II 型油浸式电动滚筒 订货代号

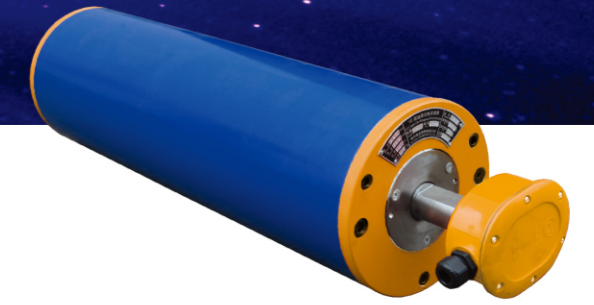
Order Symbol

**TDY - 11 - 1.6 - 650 - 500**

- 滚筒直径D(mm)  
Drum Dia.D(mm)
- 带宽B(mm)  
Belt width B(mm)
- 滚筒表面线速度V(m/s)  
Velocity of drum surface(m/s)
- 滚筒功率P(KW)  
Drum power P(KW)
- TDY型油冷式电动滚筒代号  
TDY type oil-cooled motprized drum

# YD Type Oil-Steeped Motorized Drum

## YD 型油浸式电动滚筒



YD型油浸式电动滚筒是本公司按德国W.A.T.公司油浸电动滚筒专有技术设计、生产的目前国内最先进的电动滚筒。该产品电机采用油浸直接冷却，效率高、体积小，与国内同类产品相比，具有重量轻、噪声低、寿命长等优点，已广泛用于电子、食品、邮电、轻工、机场、港口等行业的自动流水线或物料输送线。

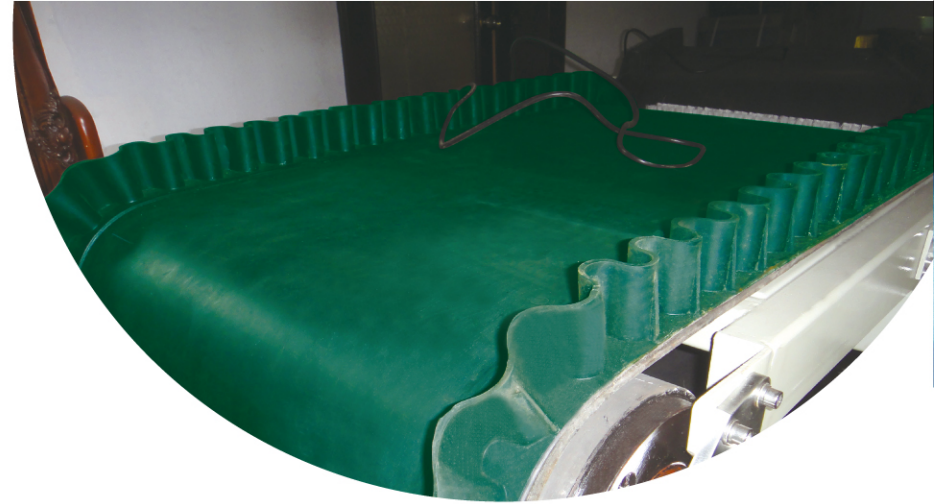
YD type oil-steeped motorized drum is produced as know-how of the design from W.A.T. Co. of Germany. Compare with same domestic product, YD type has a lot of advantages such as high efficiency, light weight, low noise, long service-life, and widely used in foods process, postal sorting office, light industry, airport luggage handling, harbours and electrical apparatus lines etc.

YD系列技术参数选用表

YD Type Technical Information

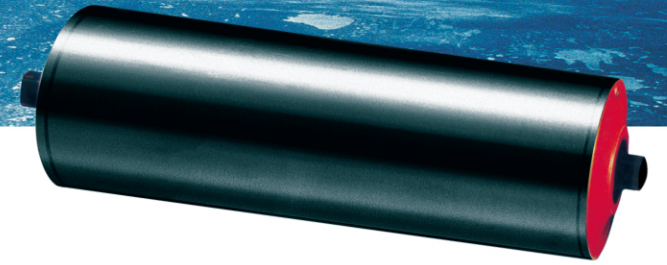
滚筒直径D Drum Dia. D	功率P Power P	滚筒表面线速度V Velocity of drum surface V	极限最小筒长	系列最小筒长Lmin	50mm质量 50mm Mass	
mm	KW	m/s	mm	长度mm 质量kg	kg	
∅ 110	0.12(单相)	0.14, 0.16, 0.20, 0.25, 0.57, 0.63, 0.80	310	350	12	0.8
	0.25	0.04, 0.047, 0.05, 0.055, 0.06, 0.065, 0.07, 0.075, 0.08, 0.09, 0.10, 0.12, 0.152, 0.20	350	350	16	1.1
∅ 130	0.25	0.046, 0.056, 0.065, 0.07, 0.08, 0.10, 0.13, 0.15, 0.18, 0.226	350	350	17	1.5
	0.55	0.29, 0.35, 0.40, 0.45, 0.52, 0.63	320	350	17	1.5
∅ 174	0.75	0.046, 0.056, 0.058, 0.068, 0.071, 0.08, 0.09, 0.10, 0.12, 0.14, 0.15, 0.18, 0.226	400	400	19	1.5
		0.29, 0.35, 0.40, 0.45, 0.52, 0.63	370	400	19	1.5
∅ 216	0.75	0.03, 0.04, 0.05, 0.063, 0.08, 0.10, 0.13, 0.16, 0.20 扭矩250NM	470	500	50	1.8
		0.25, 0.32, 0.40, 0.50, 0.63, 0.80, 1.00, 1.25, 1.60, 2.00	400	400	40	
∅ 240	1.1	0.05, 0.063, 0.08, 0.10, 0.13, 0.16, 0.20, 0.25 扭矩250NM	470	500	70	2.5
		0.32, 0.40, 0.50, 0.63, 0.80, 1.00, 1.25, 1.60, 2.00, 2.50	400	400	60	
		0.13, 0.16, 0.20, 0.25, 0.32, 0.40, 0.50, 0.63, 0.80, 1.00, 1.25, 1.60, 2.00, 2.50	410	450	63	
		0.13, 0.16, 0.20, 0.25, 0.32, 0.40, 0.50, 0.63, 0.80, 1.00, 1.25, 1.60, 2.00, 2.50	460	500	69	
∅ 240	1.5/2.2	0.13, 0.16, 0.20, 0.25, 0.32, 0.40, 0.50, 0.63, 0.80, 1.00, 1.25, 1.60, 2.00, 2.50	460	500	69	2.8
		0.13, 0.16, 0.20, 0.25, 0.32, 0.40, 0.50, 0.63, 0.80, 1.00, 1.25, 1.60, 2.00, 2.50	510	550	73	
		0.056, 0.07, 0.089, 0.11, 0.14, 0.18, 0.22, 0.28, 0.36 扭矩250NM	470	500	80	
		0.44, 0.56, 0.70, 0.89, 1.11, 1.39, 1.78, 2.22, 2.78	400	400	70	
∅ 320	3	0.14, 0.18, 0.2, 0.25, 0.4, 0.5, 0.56, 0.63, 0.8, 1.0, 1.25, 1.6, 2.0, 2.5	410	450	70	3.2
		0.14, 0.18, 0.2, 0.25, 0.4, 0.5, 0.56, 0.63, 0.8, 1.0, 1.25, 1.6, 2.0, 2.5	460	500	78	
		0.14, 0.18, 0.2, 0.25, 0.4, 0.5, 0.56, 0.63, 0.8, 1.0, 1.25, 1.6, 2.0, 2.5	510	550	81	
		0.056, 0.07, 0.089, 0.11, 0.14, 0.18, 0.22, 0.28, 0.36 扭矩250NM	470	500	80	
∅ 320	7.5	0.13, 0.16, 0.20, 0.25, 0.32, 0.40, 0.50, 0.63, 0.80, 1.00, 1.25, 1.60, 2.00, 2.50	420	450	120	5.0
		0.13, 0.16, 0.20, 0.25, 0.32, 0.40, 0.50, 0.63, 0.80, 1.00, 1.25, 1.60, 2.00, 2.50	470	500	126	
		0.13, 0.16, 0.20, 0.25, 0.32, 0.40, 0.50, 0.63, 0.80, 1.00, 1.25, 1.60, 2.00, 2.50	520	550	132	
		0.25, 0.32, 0.40, 0.50, 0.63, 0.80, 1.00, 1.25, 1.60, 2.00, 2.50, 3.15	560	600	150	
		0.25, 0.32, 0.40, 0.50, 0.63, 0.80, 1.00, 1.25, 1.60, 2.00, 2.50, 3.15	560	600	155	
∅ 400	7.5	0.50, 0.63, 0.80, 1.00, 1.25, 1.60, 2.00, 2.50, 3.15	660	700	160	5.0
		0.16, 0.20, 0.25, 0.32, 0.40, 0.50, 0.63, 0.80, 1.00, 1.25, 1.60, 2.00, 2.50	420	450	140	
		0.16, 0.20, 0.25, 0.32, 0.40, 0.50, 0.63, 0.80, 1.00, 1.25, 1.60, 2.00, 2.50	470	500	145	
		0.16, 0.20, 0.25, 0.32, 0.40, 0.50, 0.63, 0.80, 1.00, 1.25, 1.60, 2.00, 2.50	520	550	152	
		0.32, 0.40, 0.50, 0.63, 0.80, 1.00, 1.25, 1.60, 2.00, 2.50, 3.15, 4.00	560	600	170	
∅ 400	7.5	0.32, 0.40, 0.50, 0.63, 0.80, 1.00, 1.25, 1.60, 2.00, 2.50, 3.15, 4.00	560	600	175	5.0
		0.63, 0.80, 1.00, 1.25, 1.60, 2.00, 2.50, 3.15, 4.00	660	700	190	



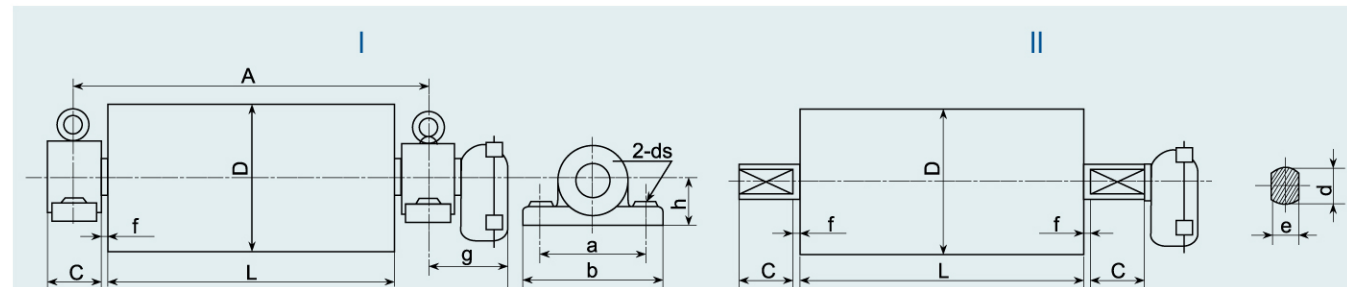


# DY-1 Type Oil-Steeped Motorized Drum

## DY-1型油浸式电动滚筒



### 安装外形尺寸 Mounting External Size



注：安装中心距 $A=L+2f+C$ 。带支座时，A为两支座中心距离；不带支座时，A为两端轴铣扁的中心距离。  
Notes: Mounting center distance  $A=L+2f+C$ . In case the motorized drum has bracket, A is the distance between two bracket center. In case it has no bracket, A is the distance between two symmetrical mounting tenons center, which are both shaft ends.

D	a	b	c	d	e	f	g	h	ds
∅110	-	-	20	25	21	5	-	-	-
∅130	-	-	20	25	21	5	-	-	-
∅174	120	160	60	32	25	5	125	50	15
∅216	120	160	60	38	30	5	125	50	15
∅240	120	160	60	38	30	5	125	50	15
∅320	210	260	60	42	35	10	125	95	19
∅400	210	260	60	42	35	10	125	95	19

注：0.75KW的∅216、∅240滚筒的安装尺寸与∅174滚筒的安装尺寸相同。  
Notes: The mounting size of the motorized drum which power is 0.75KW, drum diameter is 216mm or 240mm is the same as the mounting size of the motorized drum which drum diameter is 174mm.

### YD 型油浸式电动滚筒订货代号

#### Order Symbol

**YD - I - 2.2 - 0.6 - 500 - 216**

- 滚筒直径D(mm)  
Drum Dia.D(mm)
- 筒长L(mm)  
Drum length L(mm)
- 滚筒表面线速度V(m/s)  
Velocity of drum surface(m/s)
- 滚筒功率P(KW)  
Drum power P(KW)
- I 带支座, II 不带支座  
I mounting brackets, II no bracket
- YD型油浸式电动滚筒代号  
YD type oil-seeped motorized drum

DY-1型油浸式电动滚筒是为各类移动式带式输送机配套的驱动装置，具有结构紧凑、自重轻，使用安全可靠等优点。

DY-1 type oil-steeped motorized drum is a driving device for various portable conveyers. It has compact structure, light weight, safety and operation reliability.

### DY-1系列参数选用表

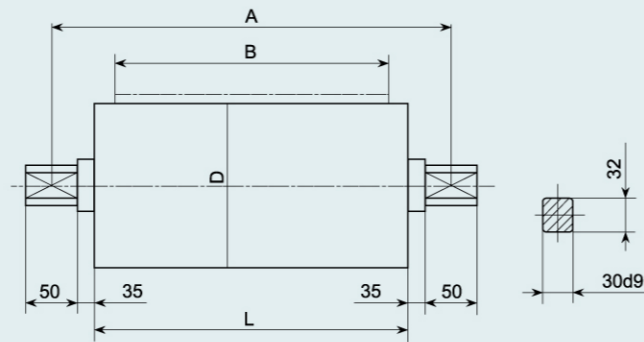
#### DY-1 Type Parameter List

滚筒直径D Drum Dia. D	功率P Power P	带宽B Belt Width B	滚筒表面线速度V Velocity of drum surfaceV (m/s)						质量M Mass M	
			0.63	0.8	1.0	1.25	1.6	2.0		
mm	KW	mm	0.63	0.8	1.0	1.25	1.6	2.0	kg	
∅240	1.1	400	○	○	○	○	○	○	70	
		500	○	○	○	○	○	○	76	
		650	○	○	○	○	○	○	86	
	1.5	400	○	○	○	○	○	○	75	
		500	○	○	○	○	○	○	81	
		650	○	○	○	○	○	○	91	
	2.2	400	○	○	○	○	○	○	75	
		500	○	○	○	○	○	○	81	
		650	○	○	○	○	○	○	91	
	3	500	○	○	○	○	○	○	81	
		650	○	○	○	○	○	○	91	
	∅320	1.5	500		○	○	○	○	○	130
650				○	○	○	○	○	141	
2.2		500		○	○	○	○	○	130	
		650		○	○	○	○	○	141	
3		500		○	○	○	○	○	132	
		650		○	○	○	○	○	144	
4		500			○	○	○	○	148	
		650			○	○	○	○	158	
5.5		500				○	○	○	153	
		650				○	○	○	163	
∅400		3	500			○	○	○	○	152
			650			○	○	○	○	170
	4	500			○	○	○	○	166	
		650			○	○	○	○	183	
	5.5	500				○	○	○	171	
		650				○	○	○	188	
	7.5	650				○	○	○	190	





**安装外形尺寸**  
Mounting External Size



D	B	L	A
∅240	400	460	580
	500	560	680
	650	730	850
∅320	500	560	680
	650	730	850
∅400	500	560	680
	600	730	850

**DY-1 型油浸式电动滚筒订货代号**

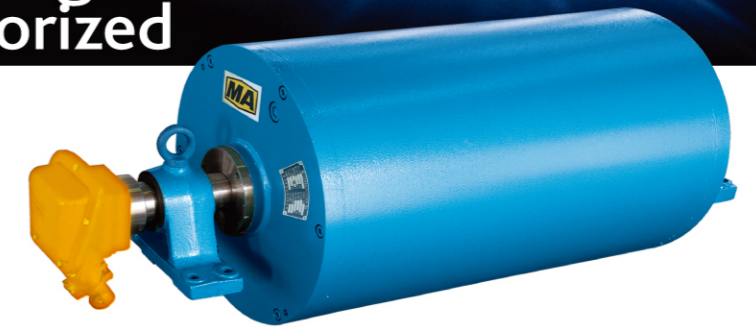
**Order Symbol**

**DY1 - 2.2 - 1.6 - 500 - 240**

- 滚筒直径D(mm)  
Drum Dia.D(mm)
- 带宽B(mm)  
Belt width B(mm)
- 滚筒表面线速度V(m/s)  
Velocity of drum surface V(m/s)
- 滚筒功率P(KW)  
Drum power P(KW)
- DY-1 型油浸式电动滚筒代号  
DY-1 type oil-seeped motorized drum

# YDB Explosion-isolating Type Oil-cooled Motorized

## YDB 隔爆型油冷式电动滚筒



**概述**

YDB隔爆型油冷式电动滚筒按GB3836.1-2000《爆炸性气体环境用电气设备 第1部分：通用要求》、GB3836.2-2000《爆炸性气体环境用电气设备 第2部分：隔爆型“d”》的要求，设计制造成隔爆型，防爆标志为Exd I，适用于煤矿（非采掘工作面）含有爆炸性气体混合物的场所，安装尺寸符合行业标准，作为胶带输送机的一种新型驱动装置，与防爆电机+减速器+转动滚筒形式的传动装置比较有明显的优点，它的结构紧凑、安装安全、操作方便、外形美观。

**Summary**

YDB explosion-isolating type oil-cooled motorized drum is according to the request of GB3836.1-2000《electric installation which used in the explosive gas of environment Section 1: universal standard》and GB3836.2-2000《electric installation which used in the explosive gas of environment Section 2: explosion-isolating "d"》, designed and made into explosion-isolating type, sign of explosion-isolating is EXD I, which used in the explosive gas of environment, installed measurement is according with standard, the new driving device which is used of rubber coated draper, comparing with the explosion-proof motor+ reducer+ live-drum's drive unit, it has obvious virtue, It's compact of structure, install safely, operate conveniently, beautiful of appearance.

**YDB 隔爆型油冷式电动滚筒产品型号的含义**

**The type of products' meaning**







### 使用范围 Scope of application

Exd I 类产品用于煤矿（非采掘工作面）主要含有甲烷或煤尘的爆炸性气体混合物的场所；  
The Exd I of products is used in cdiery(unexcavating of working range)which contains methane or coal dust's explosive gas mixture;  
注意：场所周围介质中不能含有破坏金属和绝缘的活动性化学物质。  
Attention: the surrounding medium of place doesn't contain destroyed metal and insulating reactivity chemical material.

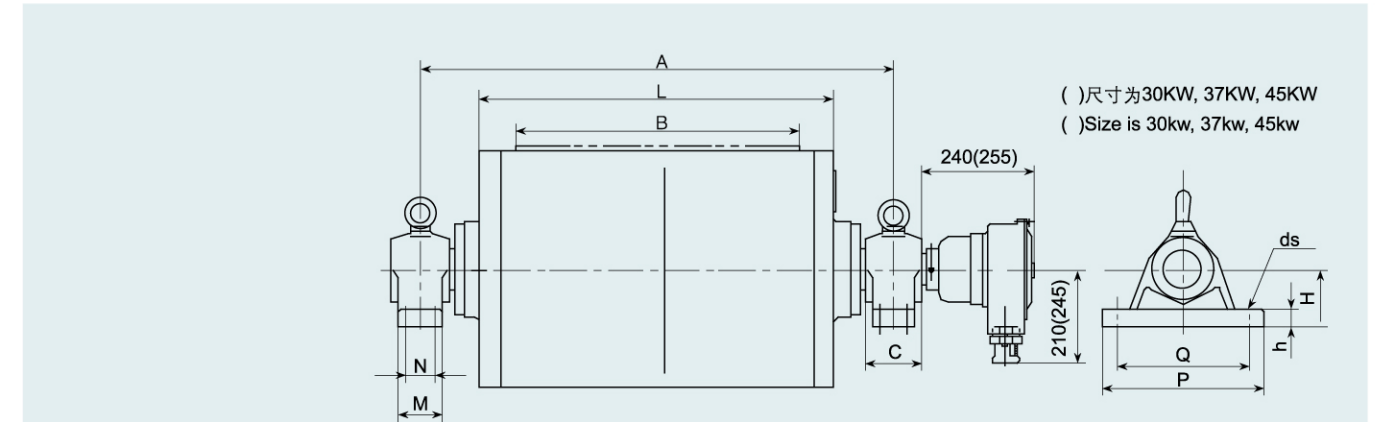
### 使用条件 Service conditions

- 海拔不超过1000m;  
Height above sea level doesn't exceed 1000m;
- 环境空气温度随季节而变化，但最高温度不超过35°C（煤矿井下），环境空气最低温度-20°C；  
The temperature of environmental change to season, but the maximum temperature doesn't exceed 35°C (in the pit of colliery), the minimum temperature of environmental is -20°C;
- 环境空气最大相对湿度不超过95%，无凝结；  
The maximum relative humidity of environmental doesn't exceed 95%, doesn't condense;
- 额定电压380V、660V、380/660V、660V/1140V，额定频率50Hz；  
Rated voltage 380V, 660V, 380/660V, 660V/1140V, rated frequency 50Hz;
- 电动滚筒的定额是连续工作制S1为基准的连续定额，允许满压启动，但电动滚筒在负荷启动时功率须提高一档。  
The quota of motorized is according to continuously-running duty S1, permits to start in full pressure, but the power of motorized which start in load must raise 1 grade.

### 本系列电动滚筒的主要规格

#### Main specifications of these motorized

滚筒直径D Drum Dia. D mm	功率P Power P KW	滚筒表面线速度V Velocity of drum surface V m/s	皮带宽度B Belt width B mm	滚筒长度L Length of drum L mm
∅ 500	7.5	0.8, 1, 1.25, 1.6, 2	650, 800	750, 950
	11	0.8, 1, 1.25, 1.6, 2, 2.5	650, 800	750, 950
	15	0.8, 1, 1.25, 1.6, 2, 2.5	800	950
∅ 630	7.5	0.8, 1, 1.25, 1.6, 2, 2.5	1000	1150
	11,15	0.8, 1, 1.25, 1.6, 2, 2.5	1000	1150
	18.5	0.8, 1, 1.25, 1.6, 2, 2.5	800, 1000, 1200	950, 1150, 1400
	22	1, 1.25, 1.6, 2, 2.5	800, 1000, 1200	950, 1150, 1400
	30,37	1.25, 1.6, 2, 2.5, 3.15	800, 1000, 1200, 1400	1000, 1150, 1400, 1600
	45	1.6, 2, 2.5, 3.15	800, 1000, 1200, 1400	1000, 1150, 1400, 1600



安装外形尺寸  
Mounting External Size

滚筒直径D Drum Dia. D mm	皮带宽度 B Belt width B mm	安装尺寸 Mounting & External Size									
		L	A	H	C	M	N	P	Q	h	ds
∅ 500	650	750	1000	120	120	90	-	340	280	35	∅ 27
	800	950	1300	120	120	90	-	340	280	35	∅ 27
∅ 630	800	950	1300	140	120	130	80	400	330	35	∅ 27
		1000									
	1000	1150	1500	140	120	130	80	400	330	35	∅ 27
	1200	1400	1750	160	160	150	90	440	360	50	∅ 34
	1400	1600	2000	160	160	150	90	440	360	50	∅ 34







工程应用



品行于 The Good Quality Walks  
天下 The World



[www.hzdt.com.cn](http://www.hzdt.com.cn)