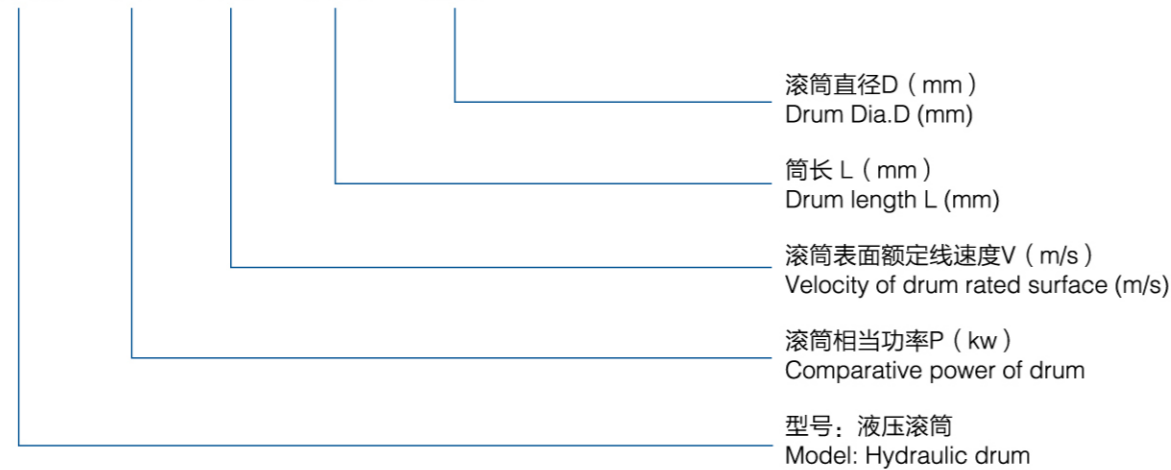


YDM型液压滚筒订货代号

ORDER SYMBOL

YDM - 15 - 2.5 - 650 - 500



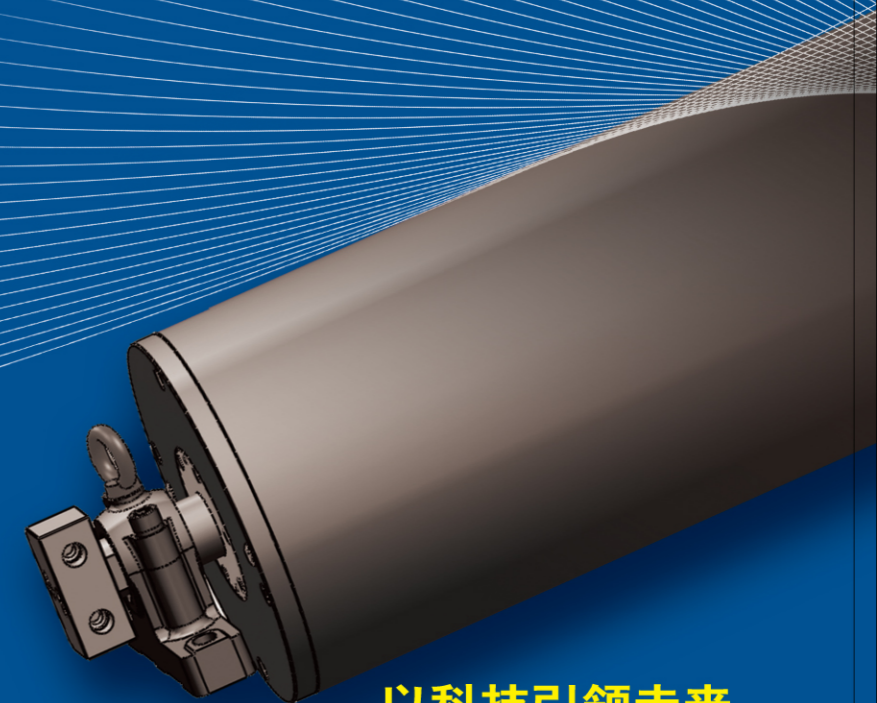
注:

- 1、滚筒外形安装尺寸与本厂标准不同时，需在订货时注明。
- 2、滚筒所用液压源的工作压力、流量等参数需在订货时注明。
- 3、滚筒表面如需包胶或其他要求的需在合同中注明。

Notes:

1. If you need the mounting external size different from the above, this must be given at order.
2. Pressure drop and oil flow and other data of the drum, this must be given at order.
3. If the drum surface need to be covered with rubber or other requirements, the must be specified in the contract.

YDM型液压滚筒 HYDRAULIC DRUM MOTORS

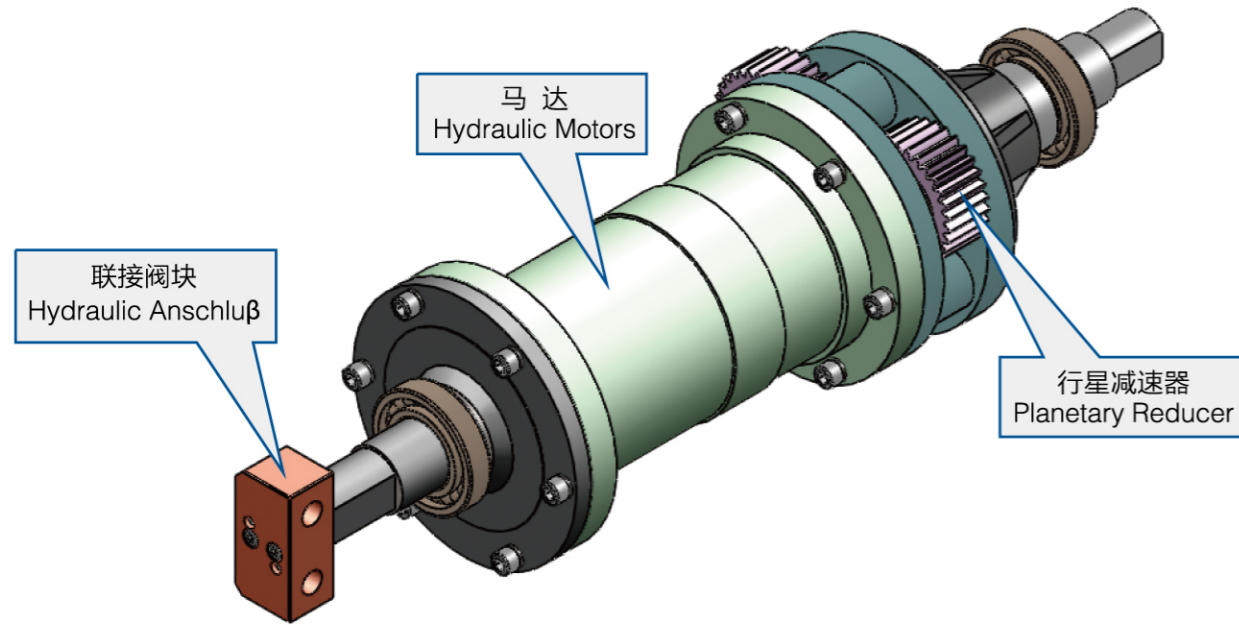


YDM型液压滚筒概述

GENERAL DESCRIPTION

电动滚筒已被广泛用作带式输送机的驱动装置。但在工程机车皮带机、机场行李转载车、转载皮带机、扒渣机等由内燃机提供液压力源的地方，由于缺少电力很难使用电动滚筒，液压滚筒成为首选设备。YDM型液压滚筒是本公司在电动滚筒基础上开发的重点新型产品，是液压马达、行星减速器、传动滚筒合为一体的传动装置。液压滚筒具有重量轻、体积小、比功率高、可靠性好、效率高、寿命长、转速范围宽、噪音低等特点，现已广泛应用于带式输送机。

Motorized drum is ideal belt conveyer drive equipment. However, such as engineering locomotive belt conveyer, airport luggage carrier vehicle pass, pass load belt conveyor, hydraulic slag and other, powered hydraulic power source provided by an internal combustion engine, a hydraulic cylinder device of choice. YDM hydraulic cylinder is the company on the basis of the motorized drum focus on new product development, hydraulic motors, planetary reducer, driving drum as one of the drives. Hydraulic drum with a light weight, high specific power, good reliability, high efficiency, long life, wide speed range, low noise characteristics. Now widely used in belt conveyer.



YDM型液压滚筒使用注意事项

MATTERS NEEDING ATTENTION

- 液压滚筒输出扭矩与液压系统提供的压力成正比。液压滚筒的压差不得超过标定值。
Pressure hydraulic cylinders and hydraulic system provides output torque is proportional. Hydraulic cylinder pressure shall not exceed the calibration value.
- 液压滚筒连续使用时速度只能小于额定速度，不得大于额定速度。
The speed of the hydraulic drum can be used continuously for less than rated speed shall not be greater than the rated speed.
- 一般液压滚筒的出油口与油箱直接连通。液压滚筒与其他液压设备可串联或并联使用，使用时背压不超过5MPa。
Oil outlet and tank general hydraulic drum directly connected, hydraulic drum and other hydraulic equipment can be connected in series or in parallel, when the return pressure does not exceed 5MPa.

YDM型液压滚筒参数表

PARAMETER LIST

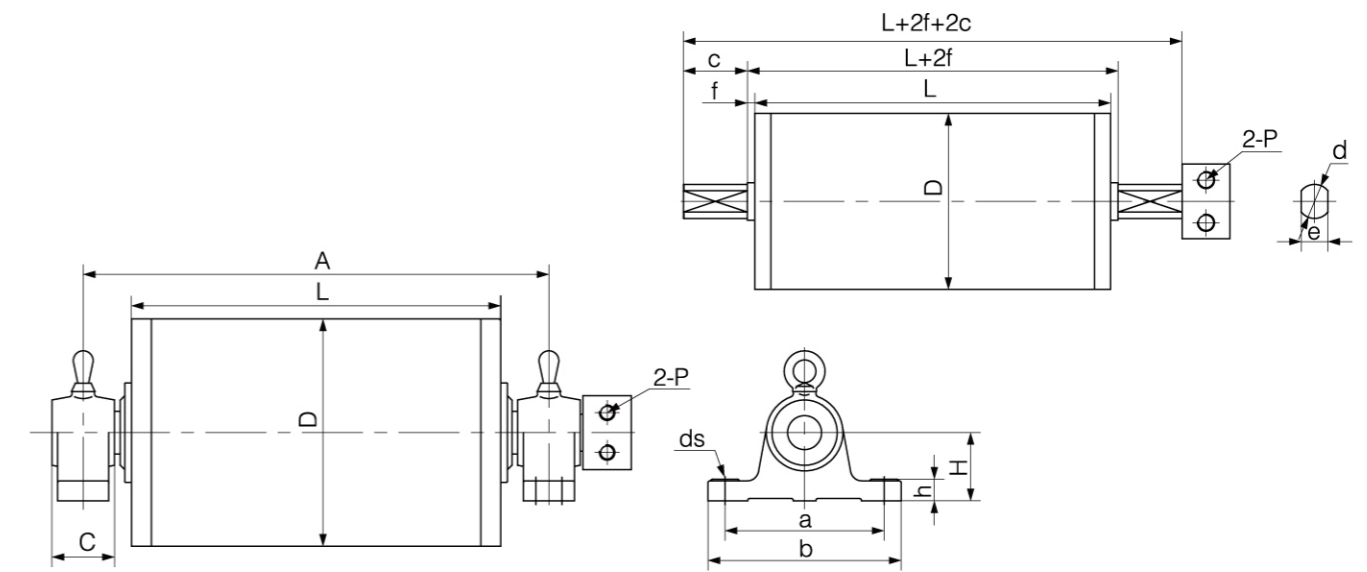
滚筒直径 Drum Dia. mm	额定流量 Rated Flow L/min	额定压力 Rated Pressure MPa	带速 Belt Speed m/s	相当功率 Comparative Power Min. kw	最小筒长 Min. Drum Length mm
Ø110	20	10	0.8	2.2	360
Ø165	20	10	1.25	2.2	360
Ø320	55	14	1-2.5	11	600
Ø400	55	14	1.25-3.15	11	600
Ø500	100	10	0.8-3.15	15	600
	110	16	1-3.15	22	600
	150	16	1-2.5	37	750
Ø630	100	10	1-4	15	600
	110	16	1.25-4	22	600
	150	16	1.25-3.15	37	750

注：请与本公司具体联系，以便特殊设计。
Note: Please contact us for special design.

YDM型液压滚筒安装外形尺寸

Mounting External Size

(mm)



D	a	b	c	d	e	f	h	H	A	ds	P
Ø110	-	-	20	25	21	5	-	-	-	-	G1/4"(12) or M14x1.5(12)
Ø165	-	-	60	38	30	5	-	-	-	-	
Ø320	-	-	60	42	35	10	-	-	-	-	G1/2"(15) or M22x1.5(15)
	210	260	60	-	-	-	35	95	L+80	2-Ø19	
Ø400	-	-	60	42	35	10	-	-	-	-	G1/2"(15) or M22x1.5(15)
	210	260	60	-	-	-	35	95	L+80	2-Ø19	
Ø500	280	340	90	-	-	-	35	120	L+150	2-Ø27	G3/4"(18) or M27x2(18)
Ø630	280	340	90	-	-	-	35	120	L+150	2-Ø27	G1"(18) or M33x2(18)